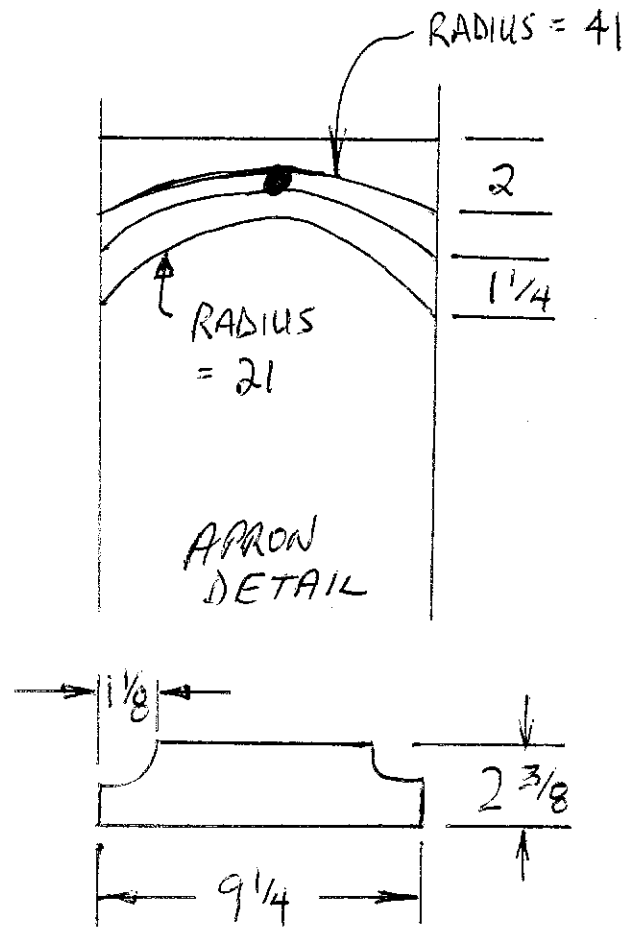


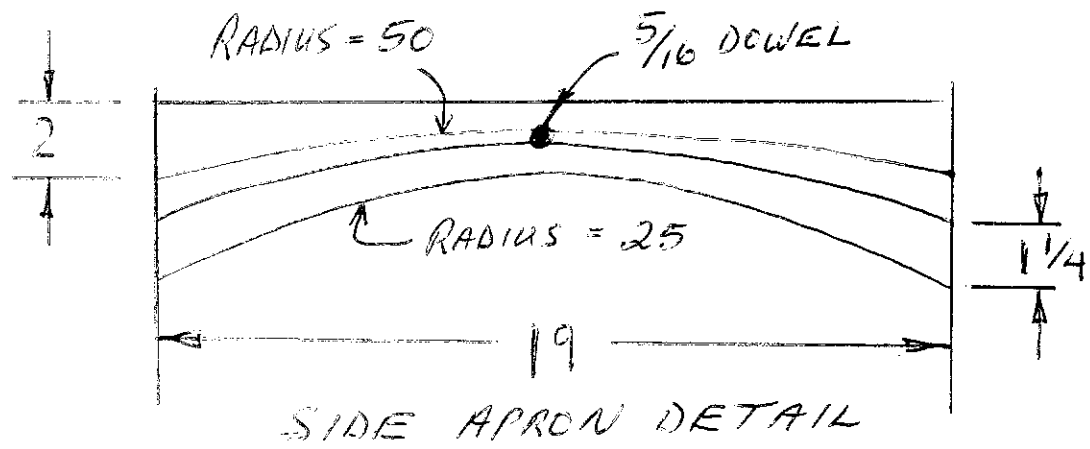
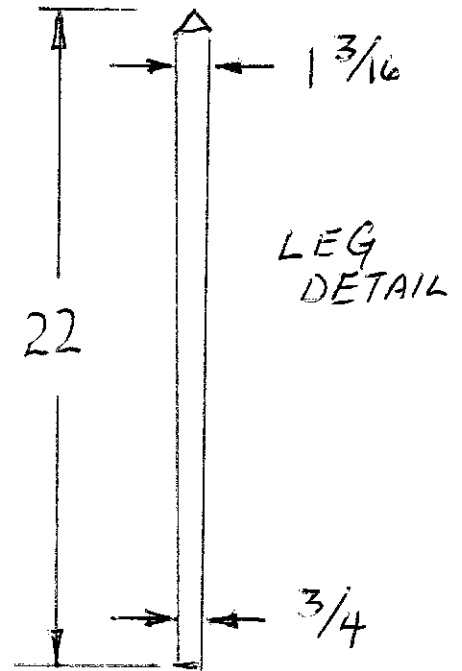
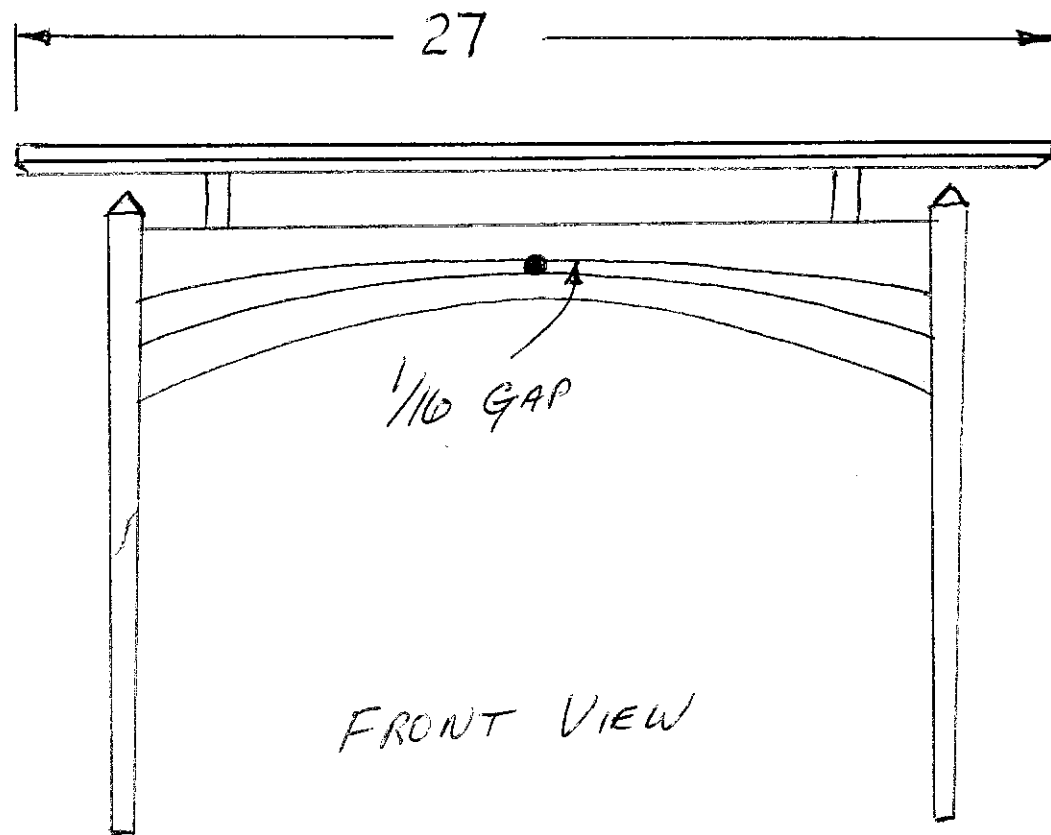
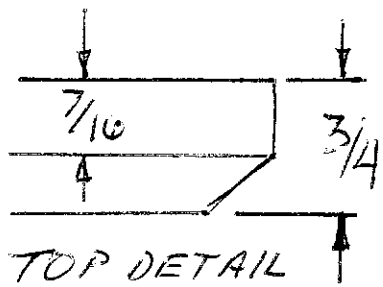
END VIEW



NOTES:

- tabletop lift from top of aprons = $7/8$
- gap between aprons at legs = $5/16$
- gap between aprons at middle = $1/16$
- floating tenons on all aprons except lower end aprons - used $3/8$ dowels

SIDE TABLE BY
TED BROWN



SIDE TABLE BY
TED BROWN