

Upholstery for the Gustav Stickley No. 369 Morris Chair, featured in the April 2011 issue of Popular Woodworking Magazine.

For the chair in the article, we hired a local upholsterer to make the cushions using fabric we supplied. Because we did not do this work, we are not able to answer specific questions about the procedures. We sought the advice of a local expert instead of venturing into another trade where we have little or no experience. Most sizable towns will have several local shops to choose from. The information in the drawings is what our source recommended and used.

Cost for 3½ yards of fabric was about \$50, and material and labor for the two cushions was about \$350. Using leather instead of fabric would have raised the price considerably, doubling or tripling the total cost of the cushions.

If you want to tackle the cushions yourself, the following pages contain drawings showing the cut fabric pieces, and sizes of the foam and other cushioning materials. If you have no experience with sewing or upholstery, the following books are the bestsellers on the topic from Amazon.com.

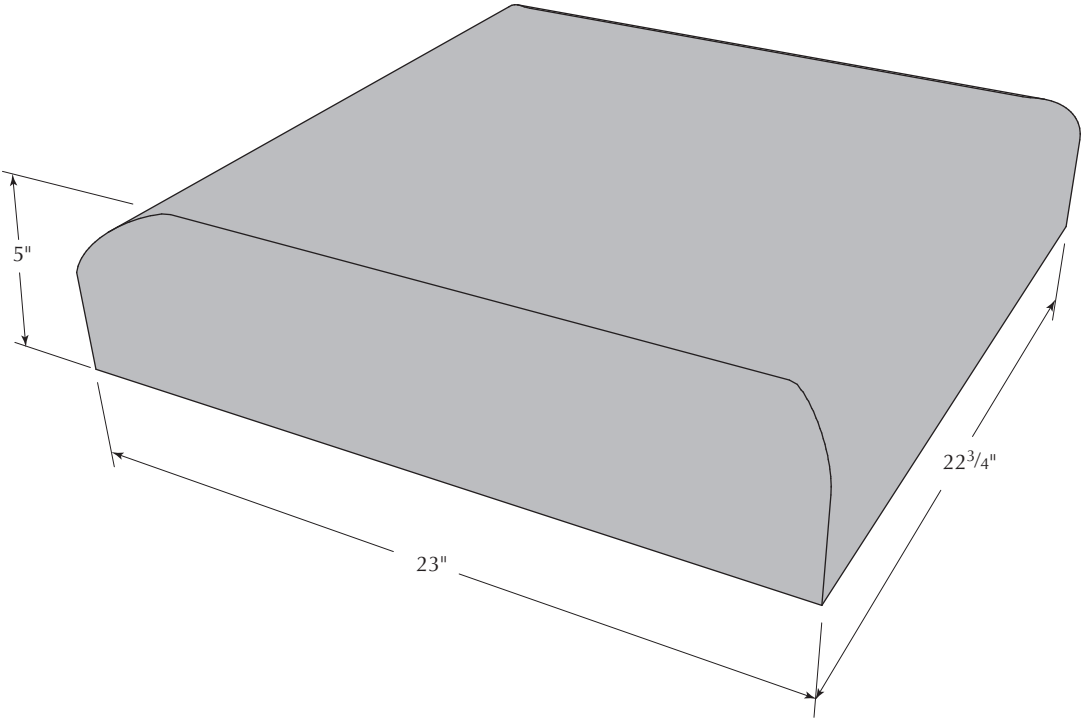
[http://www.amazon.com/Singer-Upholstery-Basics-Step---Step/dp/1589233298/ref=sr\\_1\\_2?s=books&ie=UTF8&qid=1295541184&sr=1-2](http://www.amazon.com/Singer-Upholstery-Basics-Step---Step/dp/1589233298/ref=sr_1_2?s=books&ie=UTF8&qid=1295541184&sr=1-2)

[http://www.amazon.com/Complete-Step---Step-Upholstery-David/dp/1843309297/ref=sr\\_1\\_6?s=books&ie=UTF8&qid=1295541184&sr=1-6](http://www.amazon.com/Complete-Step---Step-Upholstery-David/dp/1843309297/ref=sr_1_6?s=books&ie=UTF8&qid=1295541184&sr=1-6)

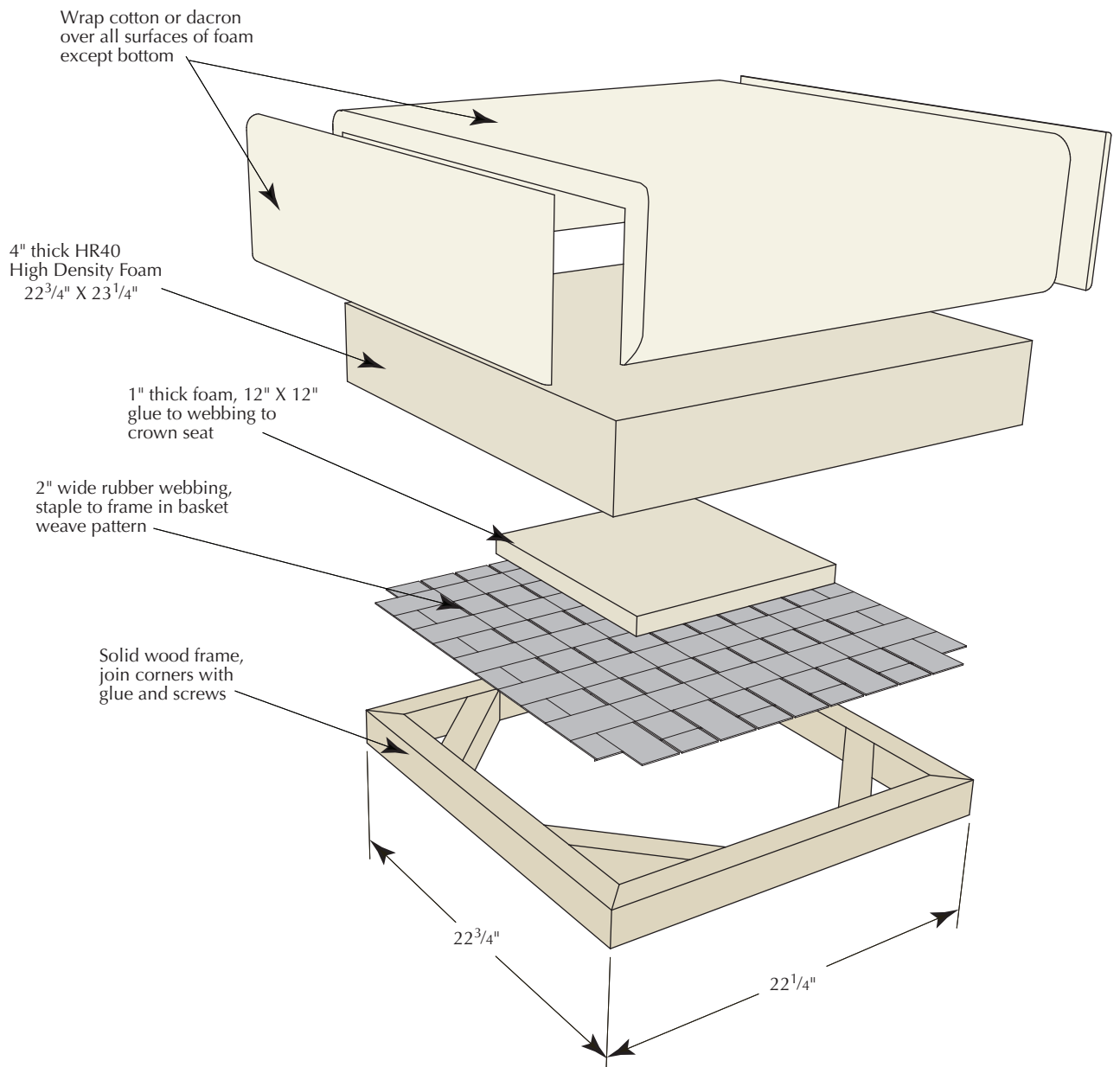
[http://www.amazon.com/Complete-Guide-Upholstery-Step---Step/dp/0312383274/ref=sr\\_1\\_9?s=books&ie=UTF8&qid=1295541184&sr=1-9](http://www.amazon.com/Complete-Guide-Upholstery-Step---Step/dp/0312383274/ref=sr_1_9?s=books&ie=UTF8&qid=1295541184&sr=1-9)

If you would like to use the services of the upholsterer we used in Cincinnati, Ohio, send e-mail to [popwood@fwmedia.com](mailto:popwood@fwmedia.com) for contact information.

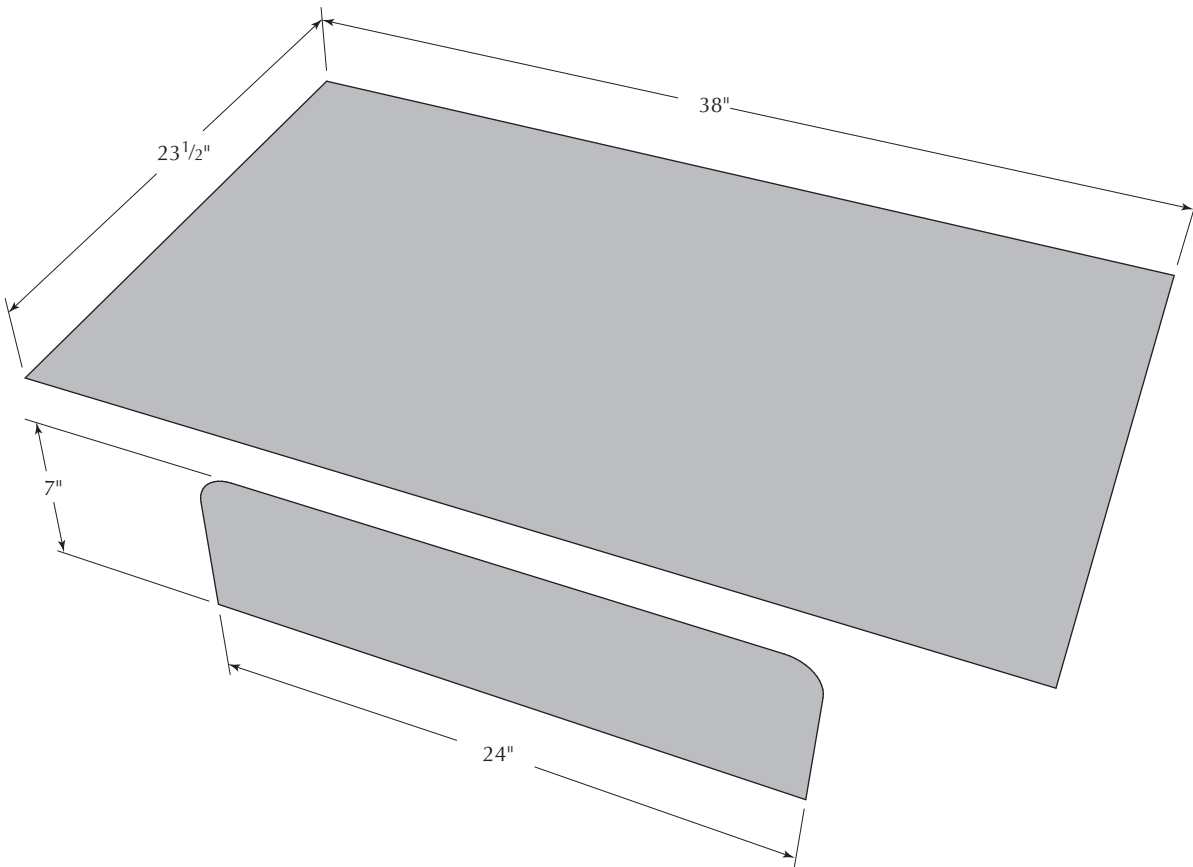
Seat Cushion Construction



Seat Cushion Construction



Seat Fabric Dimensions



Sew seat fabric to sides, wrap around cushion assembly and staple to bottom edge of frame

Back Cushion Construction

