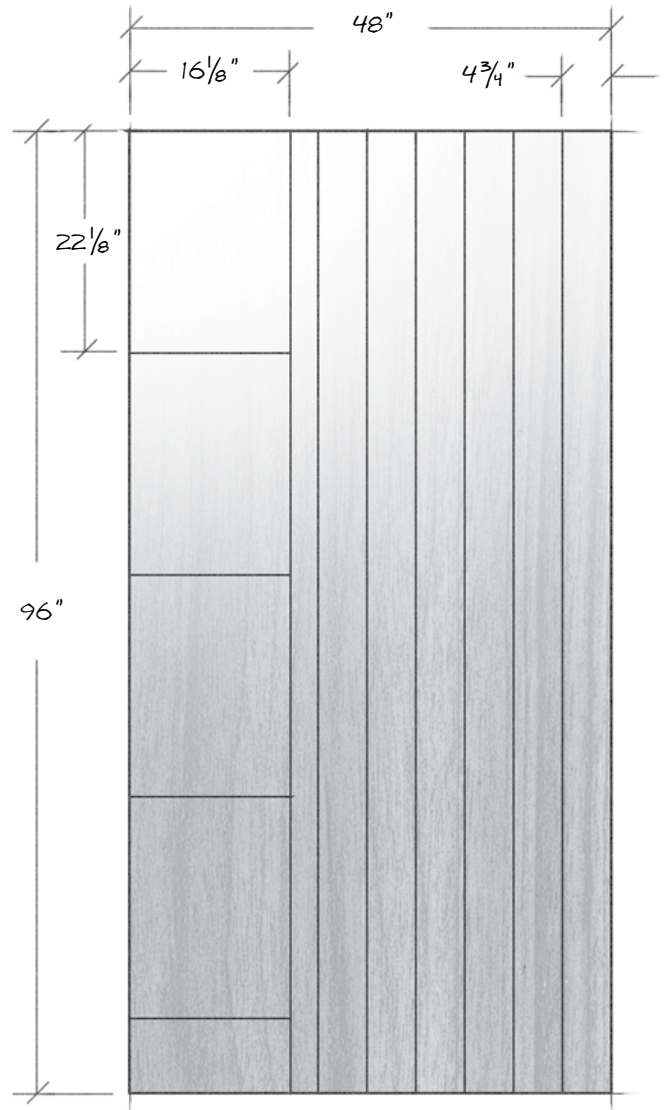
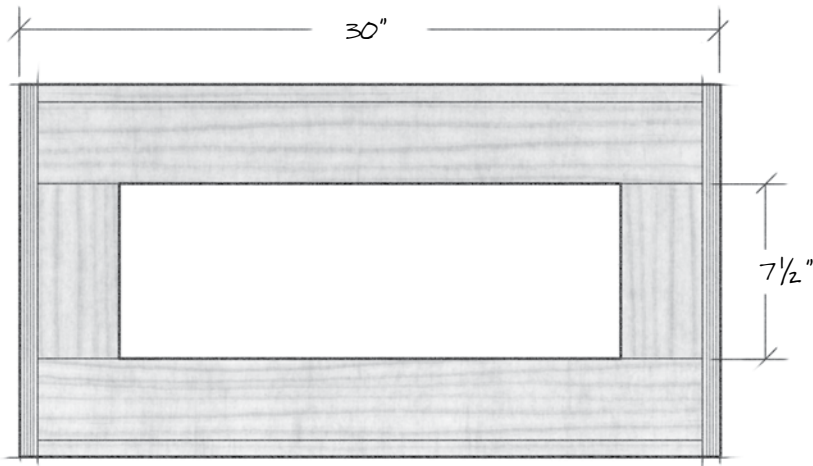


# The Shop Box System

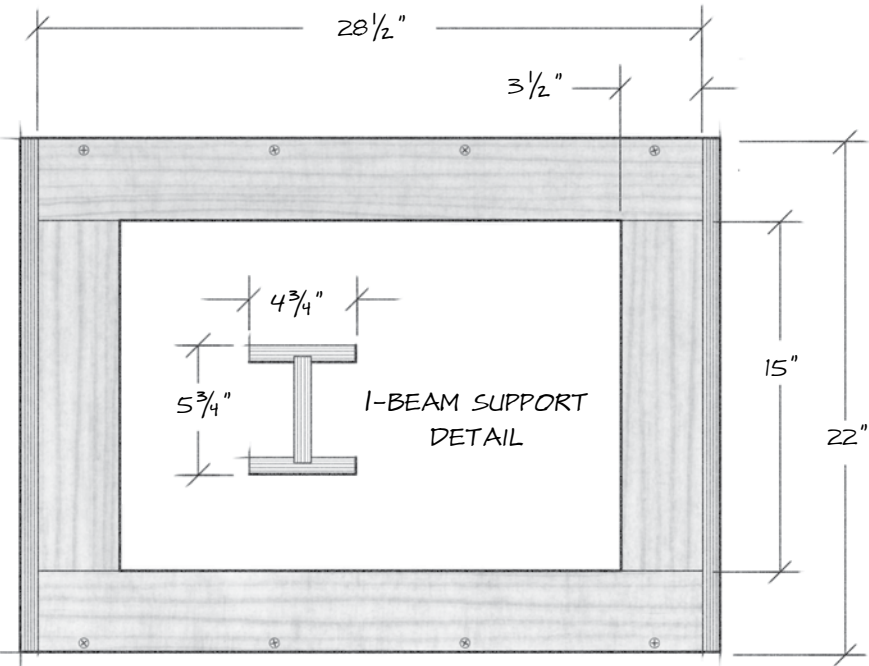
NO.	PART	SIZES (INCHES)			MATERIAL	NOTES
		T	W	L		
<b>Boxes</b>						
□ 16	Stiles	3/4	3 1/2	28 1/2	Solid wood	
□ 8	Short rails	3/4	3 1/2	7 1/2	Solid wood	
□ 8	Long rails	3/4	3 1/2	15	Solid wood	
□ 4	Frame ends	3/4	16 1/8	22 1/8	Plywood	Trim flush after assembly
<b>I-beams</b>						
□ 6	I-beam parts	3/4	4 3/4	96	Plywood	4 pieces have 1/4"-deep groove



PLYWOOD CUTTING DIAGRAM



TOP VIEW



FRONT VIEW



SIDE VIEW

## SHOP BOX